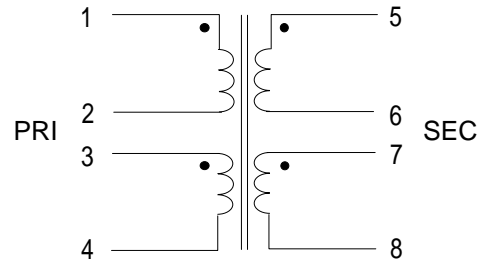


Low Profile PC Power Transformer

PARAMETER		UNITS
Power Rating	5	VA
Secondary Ratings Series Connected ¹ (Input 21V Primary 50 Hz)	7.5V + 20% 739	V mA
DCR Primary (pins 1-2 or 3-4)	4.7 Typ.	Ω
DCR Secondary (pins 5-6 or 7-8)	0.6 Typ.	Ω
Isolation 1,2,3,4 to 5,6,7,8	1500 min.	V _{RMS}

Schematic Diagram

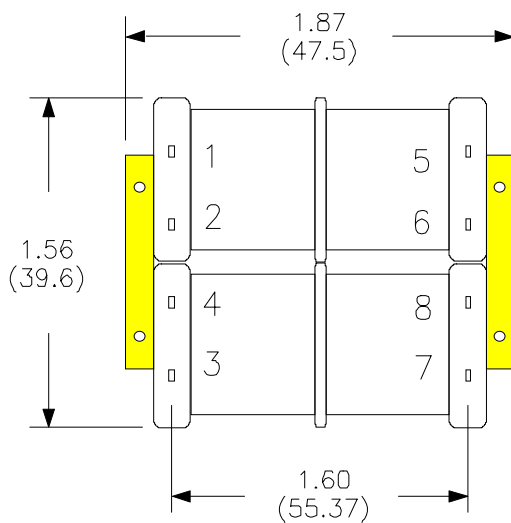


¹Series External Connections: 2-3 & 6-7

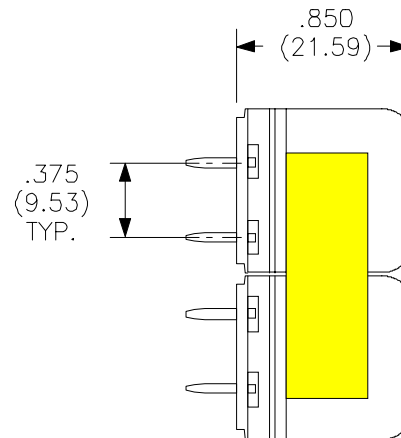
SEE BOTTOM VIEW FOR PIN OUT

Manufactured with UL Listed materials.

Physical Dimensions
inches (mm)



Bottom View



Side View

T-60369

11/12/96